

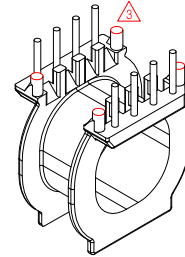
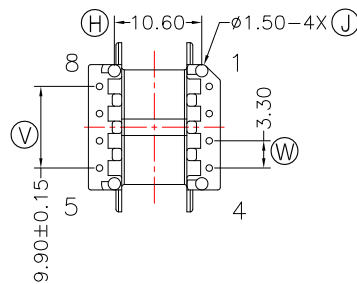
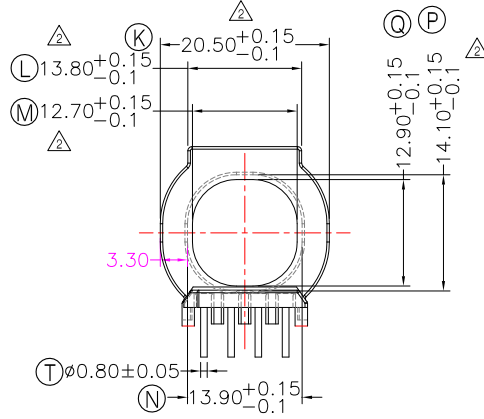
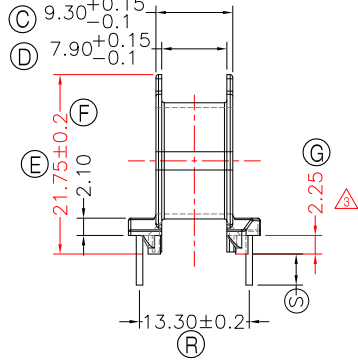
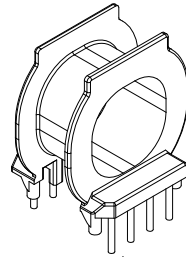
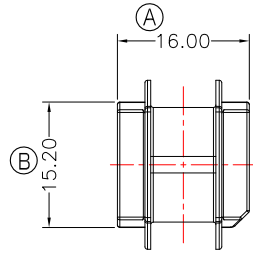


TRANSFORMER BOBBIN
INDUSTRIAL CO.,LTD.

Tel : 86-769-88789999 Fax : 86-769-88789989
http:// tbi-tw.com e-mail : tb6688@ms46.hinet.net

REVISIONS

REV	SYM	DRAFTER	CHECKER	DATE
△		G.F.YANG	W.H.HSU	03/13/10
△		G.F.YANG	W.H.HSU	12/01/10
△		F.LU	G.F.YANG	02/24/12



NOTE:
CORE TYPE :ATQ25/16.2F
1:WINDING SPACE: 7.9mm*3.3mm=26.07 mm²
2:任意一點的結構強度為2.0kg MIN;
3:焊錫前拉力:1.0KG MIN,焊錫後拉力:1.5KG MIN

DWG NO.	ATQ25-16F-8P-TH-A5-12				
PART NO.	MATERIAL (BOBBIN)	MATERIAL (TERMINAL)	TERMINAL (PLATING)	PIN ALLOCATION	NOTE
TBI-238-09151.1206	PM-9820 △	CP WIRE	Sn	ALL PIN (S) =3.5±0.2	S
TBI-238-09151.1216	PM-9820 △	CP WIRE	Sn	CUT PIN #2,4,5,6,7 (S) =3.5±0.2	H
TBI-238-09151.1226	PM-9820 △	CP WIRE	Sn	CUT PIN #2,4,5,6,7 (S) =3.2±0.2	
TBI-238-09151.1236	PM-9820 △	CP WIRE	Sn	CUT PIN #2,4,5,6,7 (S) =5.2±0.3	
TBI-238-09151.1246	PM-9820	CP WIRE	Sn	CUT PIN #1,3,5,6,7 (S) =3.2±0.3	
TBI-238-09151.1256	PM-9820	CP WIRE	Sn	CUT PIN #2,3,5,7 (S) =3.2±0.3	
TBI-238-09151.1266	PM-9820	CP WIRE	Sn	CUT PIN #2,3,5,7 (S) =5.2±0.3	
TBI-238-09151.1276	PM-9820	CP WIRE	Sn	CUT PIN #1,3,5,6,7 (S) =5.2±0.3	
TBI-238-09151.1286	PM-9820	CP WIRE	Sn	CUT PIN #1,2,4,7 (S) =3.5±0.2	
TBI-238-09151.1296	PM-9820	CP WIRE	Sn	CUT PIN #2,3,4,6 (S) =3.5±0.2	
TBI-238-09151.12A6	PM-9820	CP WIRE	Sn	CUT PIN #1,2,4,7 (S) =5.2±0.3	
TBI-238-09151.12B6	PM-9820	CP WIRE	Sn	CUT PIN #2,3,4,6 (S) =5.2±0.3	
TBI-238-09151.12C6	PM-9820	CP WIRE	Sn	CUT PIN #1,3,5,6,7 (S) =3.0±0.2	
TBI-238-09151.12D6	PM-9820	CP WIRE	Sn	CUT PIN #2,3,4,6 (S) =3.2±0.2	
TBI-238-09151.12E6	PM-9820	CP WIRE	Sn	CUT PIN #1,2,4,7 (S) =3.2±0.2	
TBI-238-09151.12F6	PM-9820	CP WIRE	Sn	CUT PIN #5,6,7,8 (S) =8.0±0.3	
TBI-238-09151.12G6	PM-9820	CP WIRE	Sn	CUT PIN #1,2,5,7 (S) =3.7±0.2	
TBI-238-09151.12H6	PM-9820	CP WIRE	Sn	ALL PIN (S) =3.7±0.2	
TBI-238-09151.12J6	PM-9820	CP WIRE	Sn	CUT PIN#5,6,7,8 (S) =3.7±0.2	
TBI-238-09151.12K6	PM-9820	CP WIRE	Sn	CUT PIN#1,2,5,6 (S) =3.7±0.2	
TBI-238-09151.12L6	PM-9820	CP WIRE	Sn	ALL PIN (S) =3.0±0.2	
TBI-238-09151.12M6	PM-9820	CP WIRE	Sn	CUT PIN #8 S =3.5±0.2	
TBI-238-09151.12N6	PM-9820	CP WIRE	Sn	CUT PIN #1,3,6,7,8 (S) =3.5±0.2	



TOLERANCE: 0<L<=4:±0.1 4<L<=16:±0.2 16<L<=63:±0.3

UNIT : m / m

SCALE 1 : 1

Finish: 1. PB wire Immersion Sn on terminal : Thickness:Sn plating,100,5 μm (200 μ inches) min,Base nickel 0.625 μm (25 μ inches) min.
2. CP wire Immersion Sn on terminal : Thickness:Sn plating,100,5 μm (200 μ inches) min.
3. Coplanarity deviation: 0.10 mm (0.004 inches) max.

REV 3