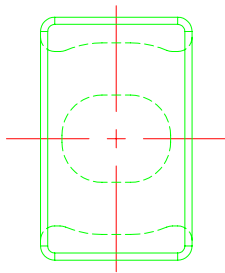
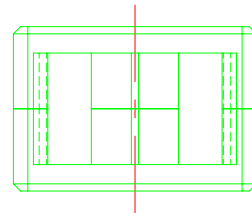
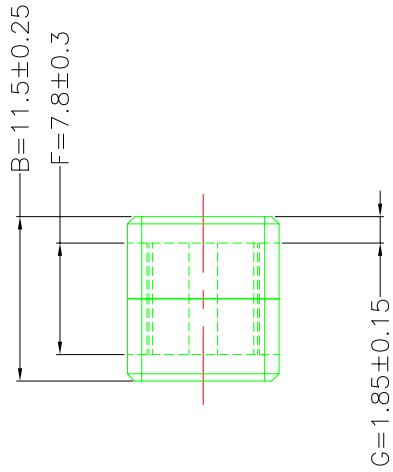
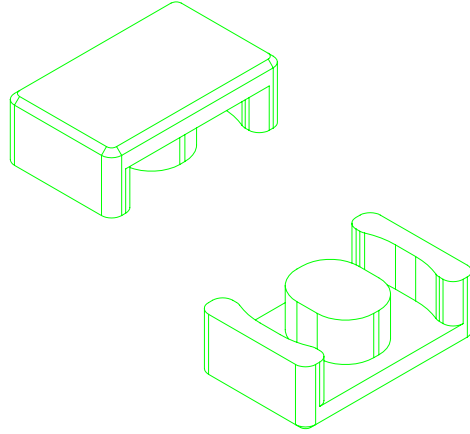
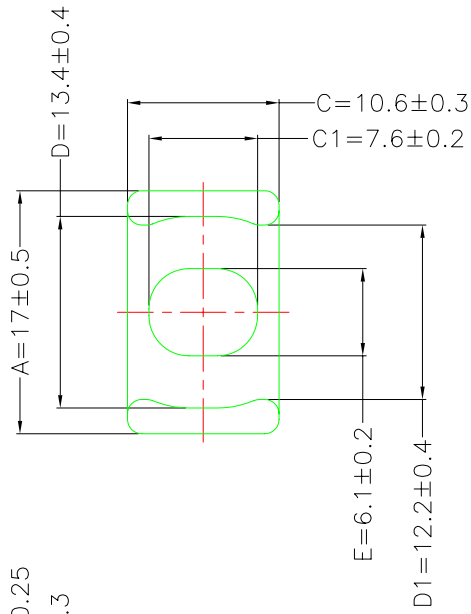


A-CORE
ELECTRICAL CO.

A-CORE JIANGMEN ELECTRONICS CO.,LTD
江門安磁電子有限公司
Tel : 86-750-3867791 Fax : 86-750-3867787

REVISIONS				
REV	SYM	DRAFTER	CHECKER	DATE
△1		H.X.DUAN	G.F.YANG	12/13/12
△2				
△3				



Core Set Parameters

$A_e=40.2\text{mm}^2$
 $L_e=31.4\text{mm}$
 $C_1=0.718\text{mm}^{-1}$
 $V_e=1262.28\text{mm}^3$

DWG NO.	ATQ17/11.5A CORE				
PART NO.	MATERIAL (BOBBIN)	MATERIAL (TERMINAL)	TERMINAL (PLATING)	PIN ALLOCATION	NOTE
ATQ17/11.5A	JPP-44A				
ATQ17/11.5A	JPP-95				

Finish:		TOLERANCE:0<L<=4:±0.1 4<L<=16:±0.2 16<L<=63:±0.3	UNIT : m/m	SCALE 1 : 1	
				REV	1

A-CORE

A-CORE JIANGMEN ELECTRONICS CO.,LTD
江門安磁電子有限公司

TBI

TRANSFORMER BOBBIN
INDUSTRIAL CO.,LTD.

ELECTRICAL CO. Tel : 86-750-3867791 Fax : 86-750-3867787

Tel : 86-769-88789999 Fax : 86-769-88789989

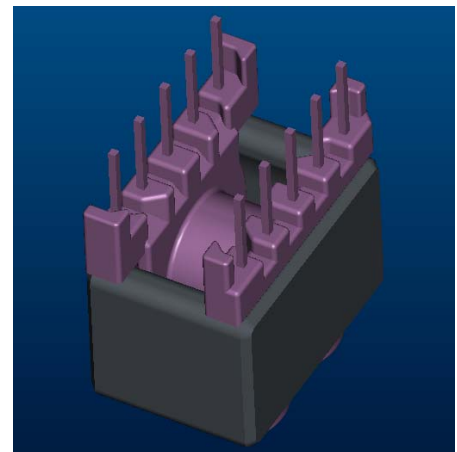
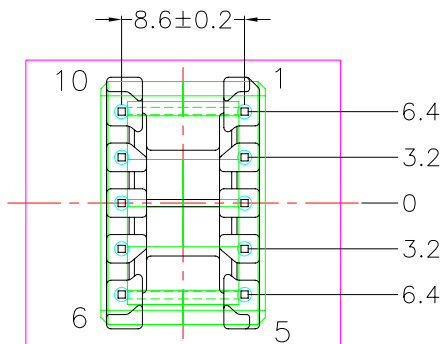
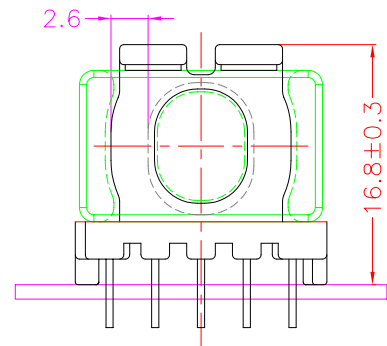
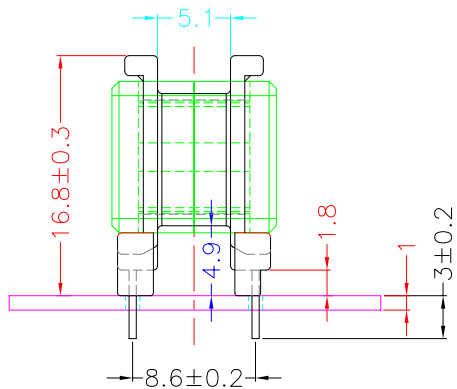
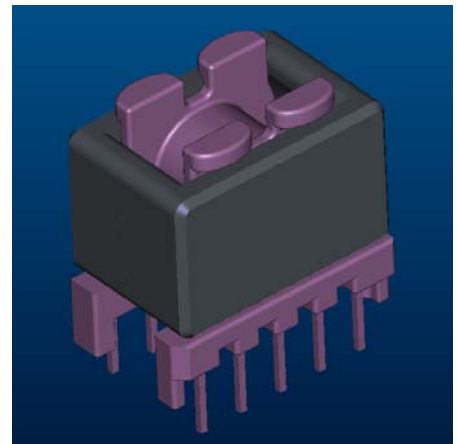
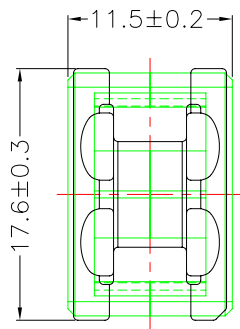
e-mail : sales@acore-ferrite.com

http:// tbi-tw.com e-mail : tb6688@ms46.hinet.net

REVISIONS

REV	SYM	DRAFTER	CHECKER	DATE
△1		X.H.GU	G.F.YANG	04/10/15
△2		X.H.GU	G.F.YANG	06/08/15
△3				

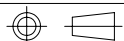
TOP



BOTTOM

BOTTOM

ITEM	PART NO.	MATERIAL	DWG NO.	Core Set Parameters
CORE	ATQ17/11.5A	JPP-44A		Ae=40.2mm ² Le=31.4mm C1=0.718mm ⁻¹ Ve=1262.28mm ³
CORE	ATQ17/11.5A	JPP-95		
BOBBIN	TBI-238-26171.11XX		ATQ17-11.5A-10P-TH-A7-11	



UNIT : m/m

SCALE 1 : 1

REV 2