

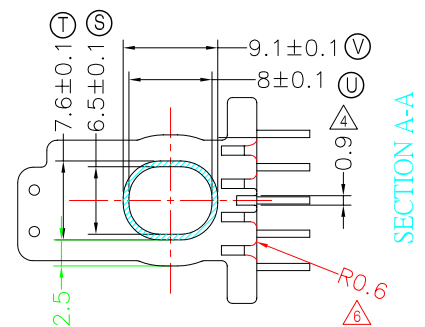
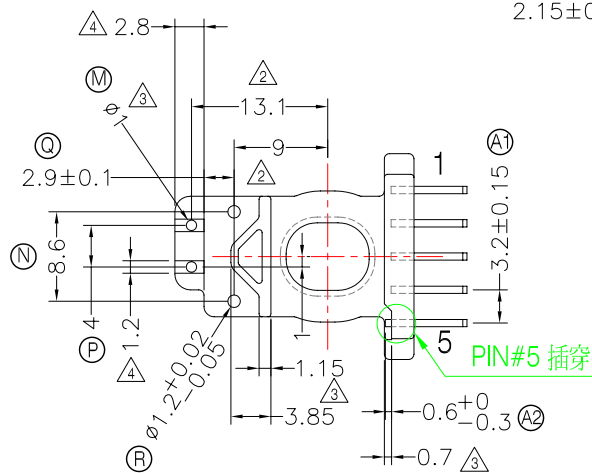
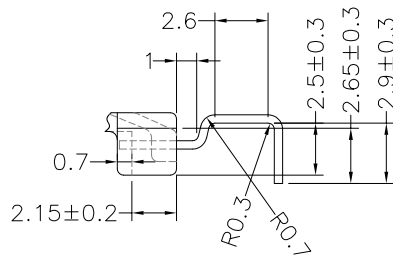
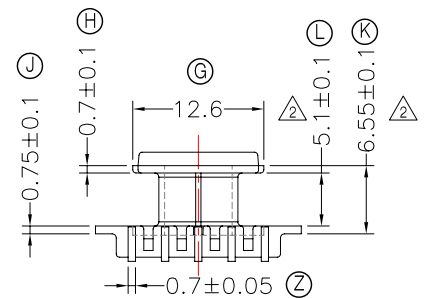
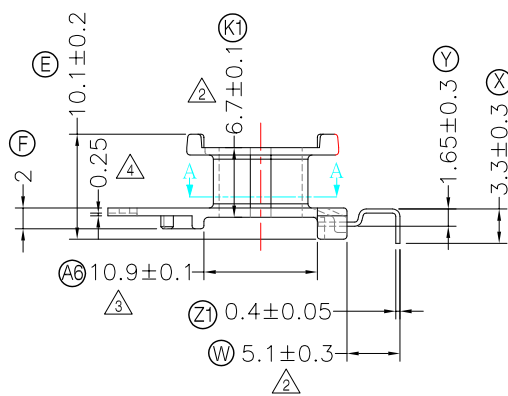
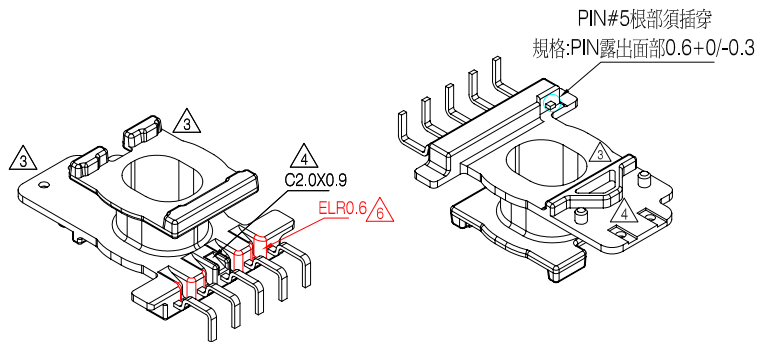
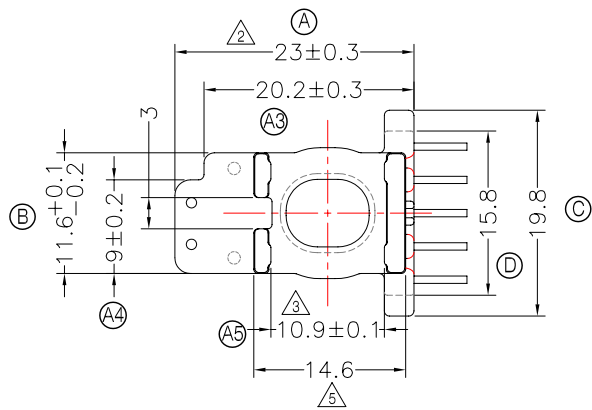


TRANSFORMER BOBBIN
INDUSTRIAL CO.,LTD.

Tel : 86-769-88789999 Fax : 86-769-88789989
http:// tbi-tw.com e-mail : tb6688@ms46.hinet.net

REVISIONS

REV	SYM	DRAFTER	CHECKER	DATE
4		X.H.GU	G.F.YANG	10/16/14
5		X.H.GU	G.F.YANG	11/11/14
6		X.H.GU	G.F.YANG	01/09/15



PIN Detail
Scale 2: 1

SECTION A-A

NOTE:

1. 焊錫前拉力:1.0KG MIN,焊錫後拉力:1.5KG MIN;
2. 任意一點強度須1.5kg MIN;
3. 耐壓4.0Kv /1.5mA 60S;
4. 焊錫溫度:450°±10° 3SEC;
5. PIN切面100%鍍錫,不可氧化;
6. WINDING SPACE:5.1mm*2.5mm=12.75mm²

DWG NO. ATQ17-10.9A-5P-THT-1C-11

PART NO.	MATERIAL (BOBBIN)	MATERIAL (TERMINAL)	TERMINAL (PLATING)	PIN ALLOCATION	NOTE
TBI-238-26131.1106	PM-9630	CP WIRE	Sn	ALL PIN	S
TBI-238-26131.1116	PM-9630	CP WIRE	Sn	ALL PIN 成品後電鍍	H

TOLERANCE: 0<L<=4:±0.1 4<L<=16:±0.2 16<L<=63:±0.3

UNIT : m / m

SCALE 1 : 1

Finish: 1. PB wire Immersion Sn on terminal : Thickness:Sn plating,100%,5 μm (200 μ inches) min,Base nickel 0.625 μm (25 μ inches) min.
2. CP wire Immersion Sn on terminal : Thickness:Sn plating,100%,5 μm (200 μ inches) min.
3. Coplanarity deviation: 0.10 mm (0.004 inches) max.

REV 6