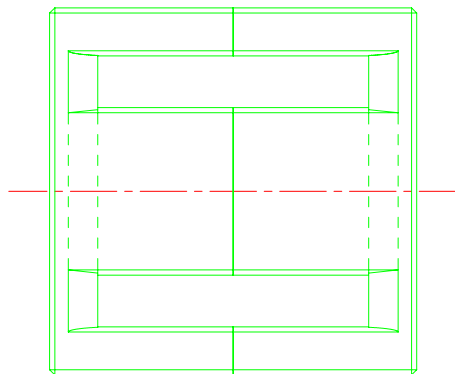
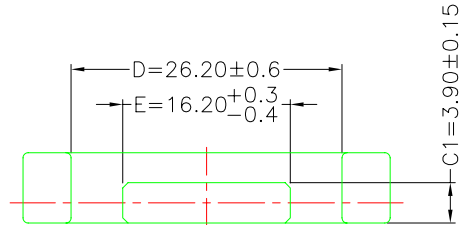
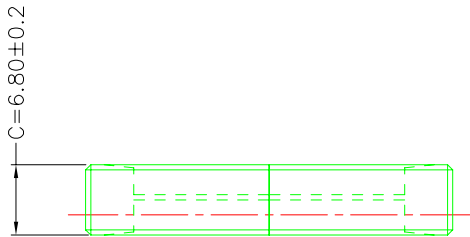
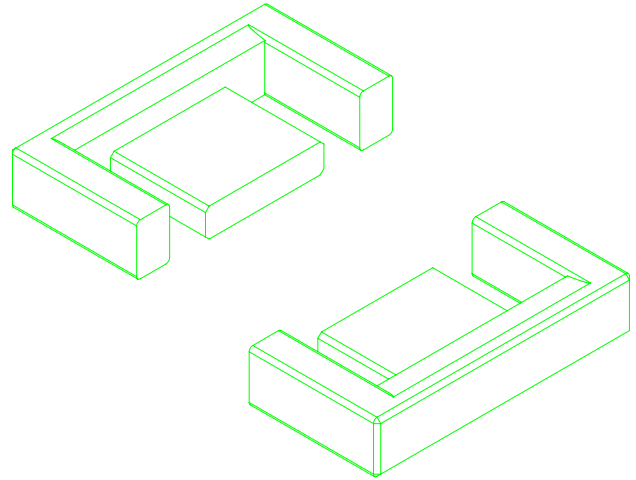
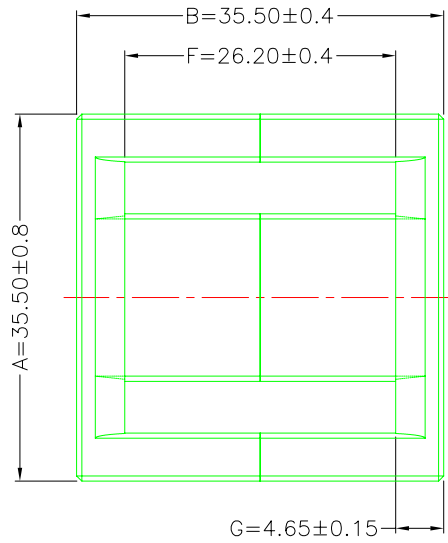


A-CORE

ELECTRICAL CO.

A-CORE JIANGMEN ELECTRONICS CO.,LTD
 江门安磁电子有限公司
 Tel: 86-750-3867791 Fax : 86-750-3867787

REVISIONS				
REV	SYM	DRAFTER	CHECKER	DATE
△1		X.H.GU	G.F.YANG	06/19/10
△2				
△3				



$A_e=63.21\text{mm}^2$
 $L_e=80.1\text{mm}$
 $C1=1.267\text{mm}^{-1}$
 $V_e=5063.121\text{mm}^3$

DWG NO.	EFD35 /35 CORE				
PART NO.	MATERIAL (BOBBIN)	MATERIAL (TERMINAL)	TERMINAL (PLATING)	PIN ALLOCATION	NOTE
EFD35/35	JPP-44A				
EFD35/35	JPP-95				
Finish:	TOLERANCE: $0<L\leq4: \pm0.1$ $4<L\leq16: \pm0.2$ $16<L\leq63: \pm0.3$			UNIT : m / m	SCALE 1 : 1
				REV	1

A-CORE

A-CORE JIANGMEN ELECTRONICS CO.,LTD
江門安磁電子有限公司

TBI

TRANSFORMER BOBBIN INDUSTRIAL CO.,LTD.

ELECTRICAL CO. Tel : 86-750-3867791 Fax : 86-750-3867787

Tel : 86-769-88789999 Fax : 86-769-88789989

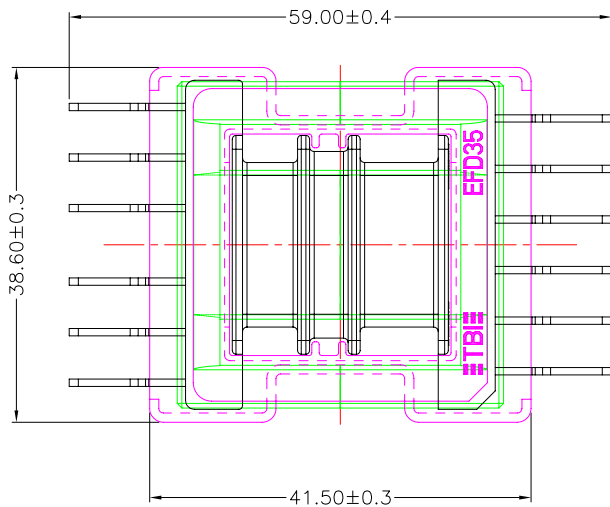
e-mail : sales@acore-ferrite.com

http:// tbi-tw.com e-mail : tb6688@ms46.hinet.net

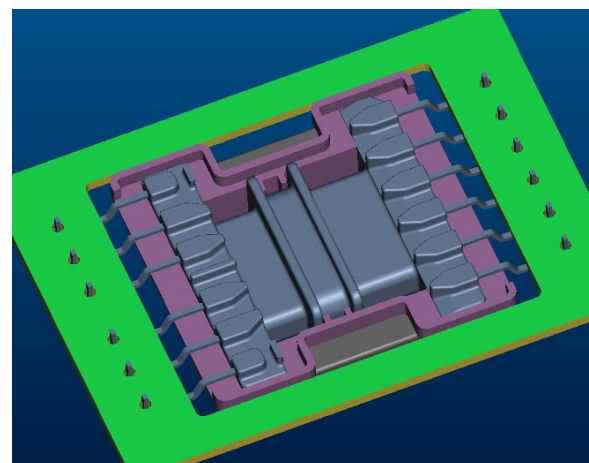
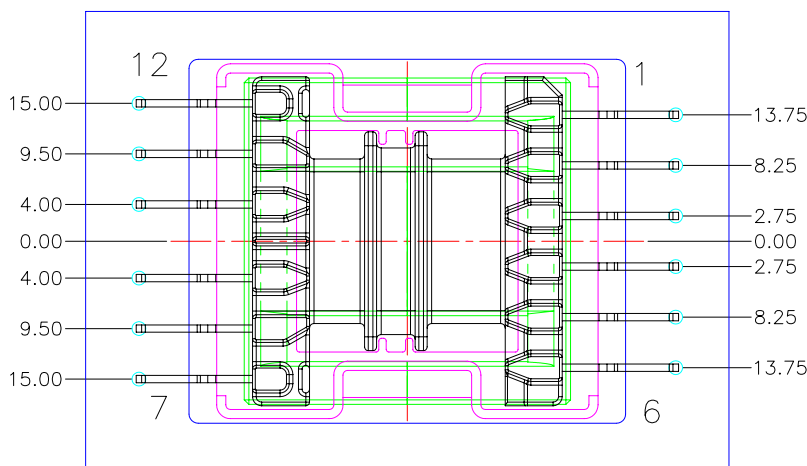
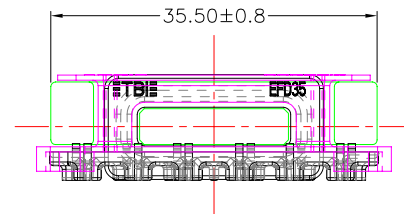
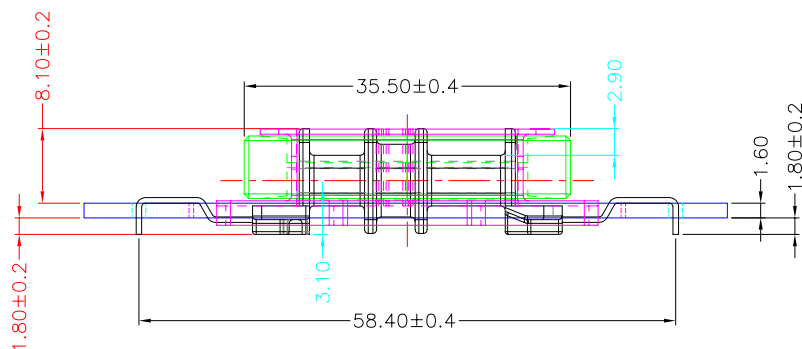
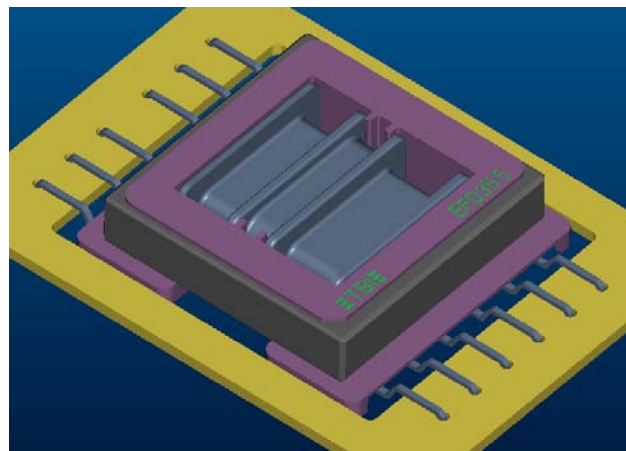
REVISIONS

REV	SYM	DRAFTER	CHECKER	DATE
△1		X.H.GU	G.F.YANG	06/19/10
△2				
△3				

TOP



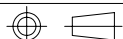
TOP



BOTTOM

BOTTOM

ITEM	PART NO.	MATERIAL	DWG NO.	Core Set Parameters
CORE	EFD35/35	JPP-44A		$A_e=63.21\text{mm}^2$ $L_e=80.1\text{mm}$ $C_1=1.267\text{mm}^{-1}$ $V_e=5063.121\text{mm}^3$
CORE	EFD35/35	JPP-95		
BOBBIN	TBI-207-21061.11XX		EFD3535-12P-THT-0F-11	
CASE	TBI-207-21061.91C		EFD3535-CASE-0F-91	



UNIT : m / m

SCALE 1 : 1

REV 1